

Instructions Manual

Руководство по эксплуатации

RECOMMENDATIONS AND SUGGESTIONS

⚠ The Instructions for Use apply to several versions of this appliance. Accordingly, you may find descriptions of individual features that do not apply to your specific appliance.

INSTALLATION

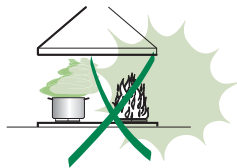
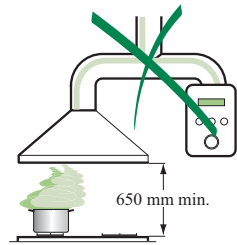
- The manufacturer will not be held liable for any damages resulting from incorrect or improper installation.
- The minimum safety distance between the cooker top and the extractor hood is 650 mm (some models can be installed at a lower height, please refer to the paragraphs on working dimensions and installation).
- Check that the mains voltage corresponds to that indicated on the rating plate fixed to the inside of the hood.
- For Class I appliances, check that the domestic power supply guarantees adequate earthing.

Connect the extractor to the exhaust flue through a pipe of minimum diameter 120 mm. The route of the flue must be as short as possible.

- Do not connect the extractor hood to exhaust ducts carrying combustion fumes (boilers, fireplaces, etc.).
- If the extractor is used in conjunction with non-electrical appliances (e.g. gas burning appliances), a sufficient degree of aeration must be guaranteed in the room in order to prevent the backflow of exhaust gas. The kitchen must have an opening communicating directly with the open air in order to guarantee the entry of clean air.


USE

- The extractor hood has been designed exclusively for domestic use to eliminate kitchen smells.
- Never use the hood for purposes other than for which it has been designed.
- Never leave high naked flames under the hood when it is in operation.
- Adjust the flame intensity to direct it onto the bottom of the pan only, making sure that it does not engulf the sides.
- Deep fat fryers must be continuously monitored during use: overheated oil can burst into flames.
- Do not flambè under the range hood; risk of fire
- This appliance is not intended for use by persons (including children) with reduced physical, sensory or mental capabilities, or lack of experience and knowledge, unless they have been given supervision or instruction concerning use of the appliance by a person responsible for their safety.
- Children should be supervised to ensure that they do not play with the appliance.



MAINTENANCE

- Switch off or unplug the appliance from the mains supply before carrying out any maintenance work.
- Clean and/or replace the Filters after the specified time period (Fire hazard).
- Clean the hood using a damp cloth and a neutral liquid detergent.

The symbol  on the product or on its packaging indicates that this product may not be treated as household waste. Instead it shall be handed over to the applicable collection point for the recycling of electrical and electronic equipment. By ensuring this product is disposed of correctly, you will help prevent potential negative consequences for the environment and human health, which could otherwise be caused by inappropriate waste handling of this product. For more detailed information about recycling of this product, please contact your local city office, your household waste disposal service or the shop where you purchased the product.

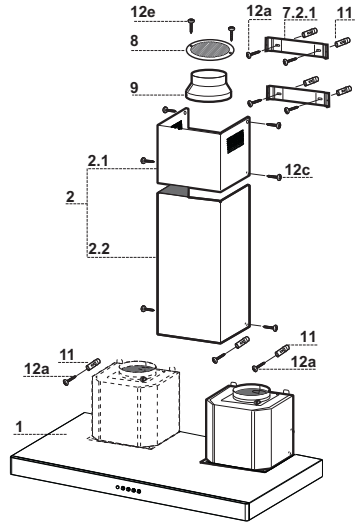
CHARACTERISTICS

Components

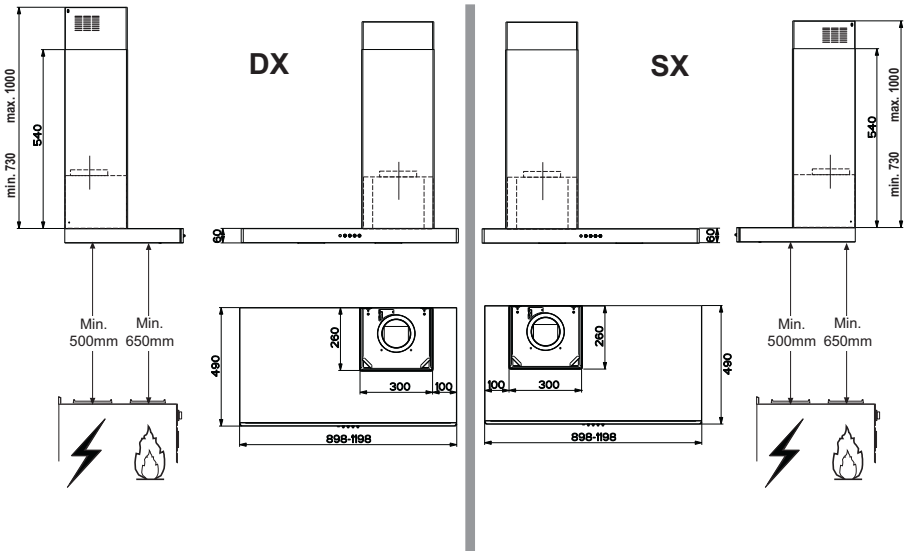
Ref.	Q.ty	Product Components
1	1	Hood Body, complete with: Controls, Light, Blower, Filters
2	1	Telescopic Chimney comprising:
2.1	1	Upper Section
2.2	1	Lower Section
8	1	Directional Air outlet Grille \varnothing 125 mm
9	1	Reducer Flange \varnothing 150-120 mm

Ref.	Q.ty	Installation Components
7.2.1	2	Upper Chimney Section Fixing Bracket
11	7	Wall Plugs
12a	7	Screws 4,2 x 44,4
12c	6	Screws 2,9 x 6,5
12e	2	Screws 2,9 x 9,5
13	1	washer

Q.ty	Documentation
1	Instruction Manual

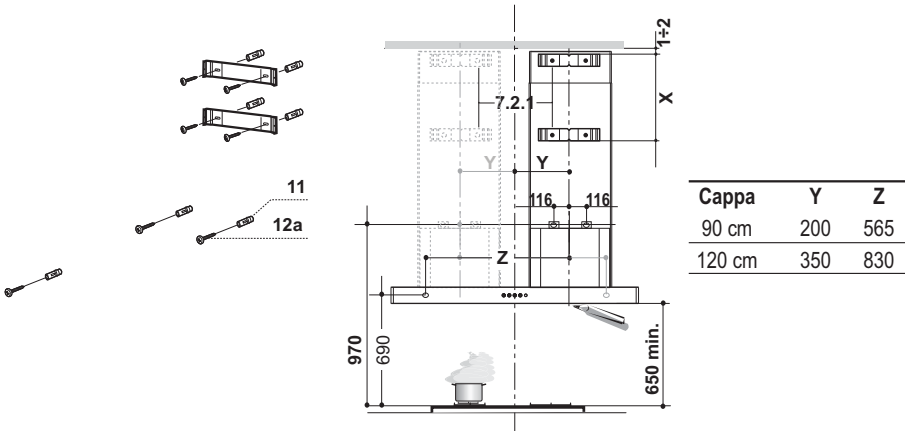


Dimensions



INSTALLATION

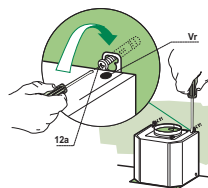
Wall drilling and bracket fixing



- Draw a vertical line on the wall on the right or on the left side depending on the hood model, at 200 mm (90 cm hood version) or at 350 mm (120 mm hood version) taking as a reference point the centre of the hob. Start the line from the ceiling or from other upper limit and finish it at the 650 mm distance from the hob. This line is needed when aligning the brackets.
- Place the **7.2.1** bracket, as indicated, at 1-2 mm from the ceiling or from other upper limit aligning its central point on the vertical reference line.
- Draw the central points of the bracket holes.
- Place the **7.2.1** bracket, as indicated, at X mm under the first bracket (X= upper chimney height) aligning its central point on the vertical reference line.
- Draw the central points of the bracket holes.
- Draw the reference point, as indicated, at 116 mm from the vertical reference point and at 970 mm above the hob.
- Repeat the same procedure on the opposite side.
- Draw the reference point, as indicated, at Z mm (Z= see the table) from the vertical reference point and at 690 mm above the hob.
- Drill \varnothing 8 mm the marked points.
- Insert the **11** plugs into the holes.
- Fix the brackets using the **12a** screws (4,2 x 44,4) supplied with the hood.
- Screw the 2 **12a** screws (4,2 x 44,4), supplied with the hood, in the hood body fixing holes. It is necessary to leave a 5-6 mm gap between the wall and the screw head.

Hood body installation

- Before hooking the hood body it is necessary to tighten 2 **Vr** screws placed in the fixing points of the body.
- Hook the hood body on the **12a** screws.
- Tighten completely **12a** support screws.
- The correct hood body position can be levelled with **Vr** screws.
- Fix the hood definitively by tightening the **12a** screw together with the **13** washer in the security hole.

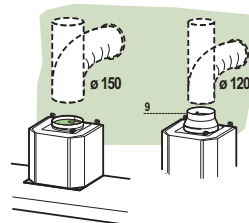


Connections

DUCTED VERSION AIR EXHAUST SYSTEM

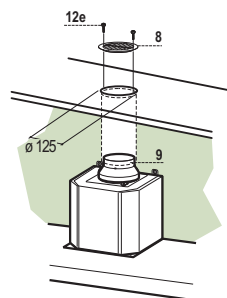
When installing the ducted version, connect the hood to the chimney using either a flexible or rigid pipe \varnothing 150 or 120 mm, the choice of which is left to the installer.

- To install a \varnothing 120 mm air exhaust connection, insert the reducer flange **9** on the hood body outlet.
- Fix the pipe in position using sufficient pipe clamps (not supplied).
- Remove possible charcoal filters.



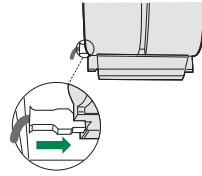
RECIRCULATION VERSION AIR OUTLET

- Cut a hole \varnothing 125 mm in any shelf that may be positioned over the hood.
- Insert the reducer flange **9** on the hood body outlet.
- Connect the flange to the outlet on the shelf over the hood by using a flexible or rigid pipe \varnothing 120 mm.
- Fix the pipe in position using sufficient pipe clamps (not supplied).
- Fix the air outlet grid **8** on the recirculation air outlet by using the 2 screws **12e** (2,9 x 9,5) provided.
- Ensure that the activated charcoal filters have been inserted.



ELECTRICAL CONNECTION

- Connect the hood to the mains through a two-pole switch having a contact gap of at least 3 mm.
- Remove the grease filters (see paragraph Maintenance) being sure that the connector of the feeding cable is correctly inserted in the socket placed on the side of the fan.



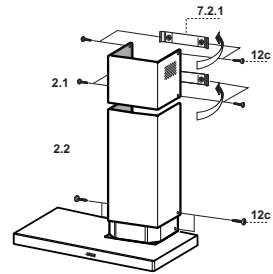
Chimney assembly

Upper exhaust Chimney

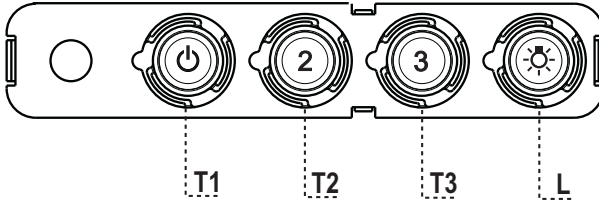
- Slightly widen the two sides of the upper chimney and hook them behind the brackets **7.2.1**, making sure that they are well seated.
- Secure the sides to the brackets using the 4 screws **12c** (2,9 x 9,5) supplied.

Lower exhaust Chimney

- Slightly widen the two sides of the chimney and hook them between the upper chimney and the wall, making sure that they are well seated.
- Fix the lower part laterally to the hood body using the 2 screws **12c** (2,9 x 9,5) supplied.



USE



Control panel

BUTTON	LED	FUNCTIONS
T1 Speed	On	Turns the Motor on at Speed one. Turns the Motor off.
T2 Speed	On	Turns the Motor on at Speed two.
T3 Speed	Fixed	When pressed briefly, turns the Motor on at Speed three.
L Light		Turns the Lighting System on and off.

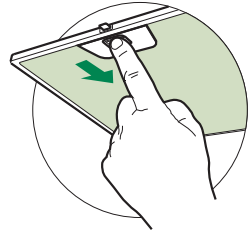
Warning: Button **T1** turns the motor off, after first passing to speed one.

MAINTENANCE

Grease filters

CLEANING METAL SELF- SUPPORTING GREASE FILTERS

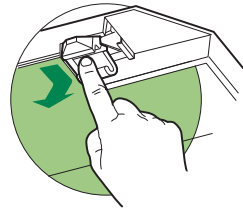
- The filters must be cleaned every 2 months of operation, or more frequently for particularly heavy usage, and can be washed in a dishwasher.
- Remove the filters one at a time by pushing them towards the back of the group and pulling down at the same time.
- Wash the filters, taking care not to bend them. Allow them to dry before refitting.
- When refitting the filters, make sure that the handle is visible on the outside.



Activated charcoal filter (Recirculation version)

REPLACING THE ACTIVATED CHARCOAL FILTER

- The filter is not washable and cannot be regenerated, and must be replaced approximately every 4 months of operation, or more frequently for particularly heavy usage.
- Remove the metal grease filters.
- Remove the saturated activated carbon filter by releasing the fixing hooks.
- Fit the new filter by hooking it into its seating.
- Refit the metal grease filters.

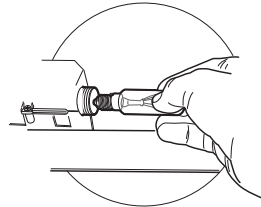


Lighting

LIGHT REPLACEMENT

40 W incandescent light.

- Remove the screw fixing the Lighting support.
- Pull the Lighting support down.
- Extract the lamp and replace with another of the same type.
- Replace the lighting support in reverse order.



CE