

# CASUAL

# RECOMMENDATIONS AND SUGGESTIONS

⚠ The Instructions for Use apply to several versions of this appliance. Accordingly, you may find descriptions of individual features that do not apply to your specific appliance.

## INSTALLATION

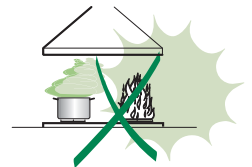
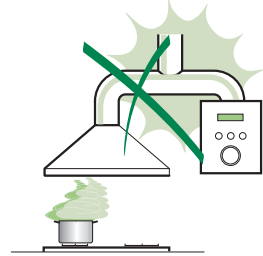
- The manufacturer will not be held liable for any damages resulting from incorrect or improper installation.
- The minimum safety distance between the cooker top and the extractor hood is 650 mm (some models can be installed at a lower height, please refer to the paragraphs on working dimensions and installation).
- Check that the mains voltage corresponds to that indicated on the rating plate fixed to the inside of the hood.
- For Class I appliances, check that the domestic power supply guarantees adequate earthing.  
Connect the extractor to the exhaust flue through a pipe of minimum diameter 120 mm. The route of the flue must be as short as possible.
- Do not connect the extractor hood to exhaust ducts carrying combustion fumes (boilers, fireplaces, etc.).
- If the extractor is used in conjunction with non-electrical appliances (e.g. gas burning appliances), a sufficient degree of aeration must be guaranteed in the room in order to prevent the backflow of exhaust gas. The kitchen must have an opening communicating directly with the open air in order to guarantee the entry of clean air. When the cooker hood is used in conjunction with appliances supplied with energy other than electric, the negative pressure in the room must not exceed 0,04 mbar to prevent fumes being drawn back into the room by the cooker hood.
- In the event of damage to the power cable, it must be replaced by the manufacturer or by the technical service department, in order to prevent any risks.


## USE

- The extractor hood has been designed exclusively for domestic use to eliminate kitchen smells.
- Never use the hood for purposes other than for which it has been designed.
- Never leave high naked flames under the hood when it is in operation.
- Adjust the flame intensity to direct it onto the bottom of the pan only, making sure that it does not engulf the sides.
- Deep fat fryers must be continuously monitored during use: overheated oil can burst into flames.
- Do not flambè under the range hood; risk of fire
- This appliance is not intended for use by persons (including children) with reduced physical, sensory or mental capabilities, or lack of experience and knowledge, unless they have been given supervision or instruction concerning use of the appliance by a person responsible for their safety.
- Children should be supervised to ensure that they do not play with the appliance.
- "CAUTION: Accessible parts may become hot when used with cooking appliances."

## MAINTENANCE

- Switch off or unplug the appliance from the mains supply before carrying out any maintenance work.
- Clean and/or replace the Filters after the specified time period (Fire hazard).
- Clean the hood using a damp cloth and a neutral liquid detergent.



The symbol  on the product or on its packaging indicates that this product may not be treated as household waste. Instead it shall be handed over to the applicable collection point for the recycling of electrical and electronic equipment. By ensuring this product is disposed of correctly, you will help prevent potential negative consequences for the environment and human health, which could otherwise be caused by inappropriate waste handling of this product. For more detailed information about recycling of this product, please contact your local city office, your household waste disposal service or the shop where you purchased the product.

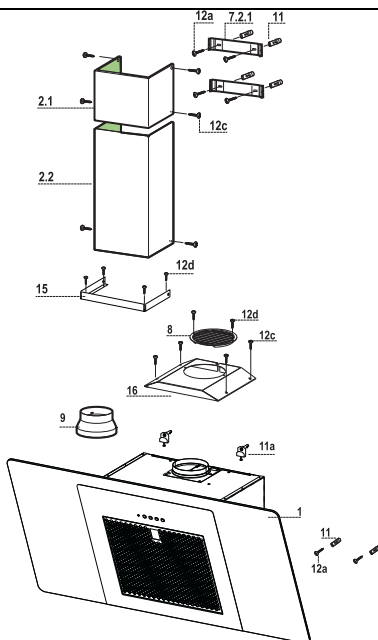
# CHARACTERISTICS

## Components

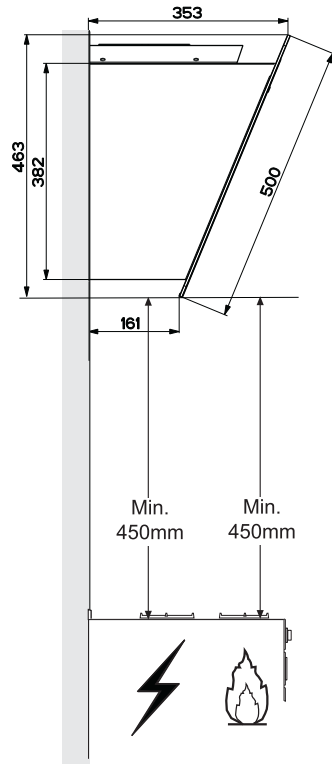
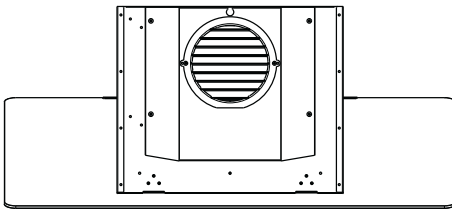
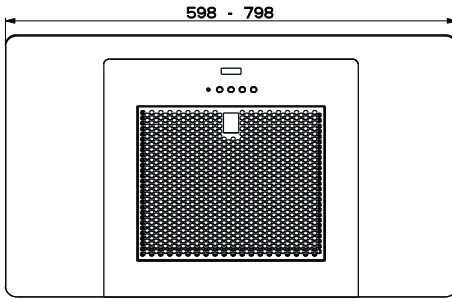
Ref.	Q.ty	Product Components
1	1	Hood Body, complete with: Controls, Light, Blower, Filters
2.1	1	Upper Section (optional)
2.2	1	Lower Section (optional)
8	1	Directional Air Outlet grille
9	1	Flange (optional)
15	1	Angle iron (optional)
16	1	Filter cover

Ref.	Q.ty	Installation Components
7.2.1	2	Upper Chimney Section Fixing Brackets (optional)
11	6	Wall Plugs ( 4 optional )
11a	2	Wall Plugs SB 12/10
12a	6	Screws 4,2 x 44,4 ( 4 optional )
12c	10	Screws 2,9 x 6,5 ( 6 optional )
12d	6	Screws 2,9 x 9,5 ( 4 optional )

Q.ty	Documentation
1	Instruction Manual

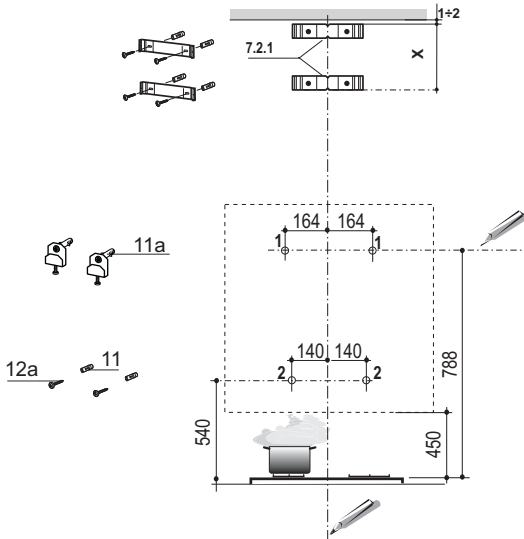


## Dimensions



# INSTALLATION

## Wall drilling and bracket fixing



As a first step, proceed with the following drawings:

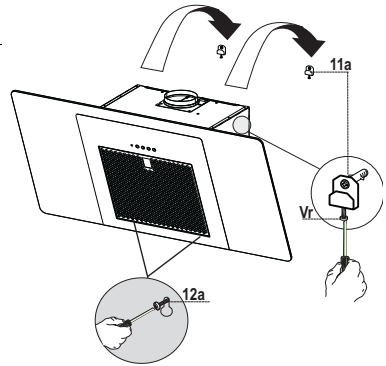
- a vertical line up to the ceiling or up to the upper limit, at the centre of the area in which the hood is to be fitted;
- a horizontal line at a minimum 788 mm above the cooker top.
- Mark a point **(1)** on the horizontal line, 164 mm to the right of the vertical reference line.
- Repeat this operation on the other side, checking that the two marks are levelled.
- Mark a reference point **(2)** as indicated at 140 mm from the vertical reference line and 540 mm above the cooker top.
- Repeat this operation on the other side, checking that the two marks are levelled.
- Drill at the marked points **(1)**, using a  $\varnothing$  12 mm drill bit.
- Drill at the marked points **(2)** using a  $\varnothing$  8 mm drill bit.
- Insert the bracket plugs **11a** into the holes **(1)** and tighten the screws.
- Insert plug **11** into holes **(2)**.

### To install a decorative chimney ( optional )

- Place bracket **7.2.1** on the wall, about 1-2 mm from the ceiling or from the upper limit, aligning the centre (notch) with the vertical reference line.
- Mark the wall at the centres of the bracket holes.
- Place the bracket **7.2.1** on the wall at X mm below the first bracket (X = height of the upper chimney section), aligning the centre (notch) with the vertical line.
- Mark the wall at the centres of the bracket holes.
- Drill  $\varnothing$  8 mm holes at all the marked centre points.
- Insert the wall plugs **11** in the holes.
- Fix the brackets using the **12a** screws (4,2 x 44,4) supplied with the hood.

## Mounting the hood body

- Adjust the two screws **Vr**, on brackets **11a**, to a minimum.
- Hook the hood canopy onto the two brackets **11a**.
- Open the Grid by acting on the special handles
- From inside the hood canopy, adjust the screws **Vr** to set the Hood Canopy level.
- Tighten the safety screw **11**.

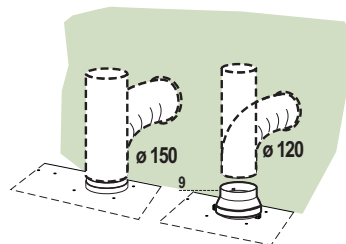


## Connections

### DUCTED VERSION AIR EXHAUST SYSTEM

When installing the ducted version, connect the hood to the chimney using either a flexible or rigid pipe  $\varnothing$  150 or 120 mm, the choice of which is left to the installer.

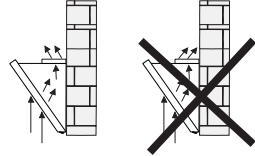
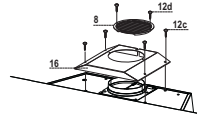
- To install a  $\varnothing$  120 mm air exhaust connection, insert the reducer flange **9** on the hood body outlet.
- Fix the pipe in position using sufficient pipe clamps (not supplied).
- Remove possible charcoal filters.



## RECIRCULATION VERSION AIR OUTLET

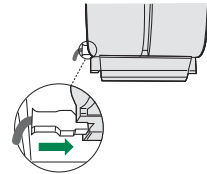
To install the Recirculation Version of the hood, the optional Activated charcoal cartridge kit must be purchased.

- Screw the filter cover onto the air outlet, using four screws **12c** (2,9 x 12,5).
- Fix the directional grille **8** on the recirculation air outlet using the 2 screws **12d** (2,9 x 9,5) provided.



## ELECTRICAL CONNECTION

- Connect the hood to the mains through a two-pole switch having a contact gap of at least 3 mm.
- Remove the grease filters (see paragraph Maintenance) being sure that the connector of the feeding cable is correctly inserted in the socket placed on the side of the fan.



## Flue assembly

The chimney can only be installed with exhausting hood

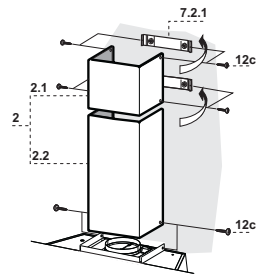
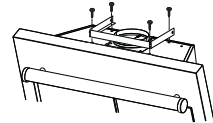
- Fasten the angle iron **15** to the hood canopy using the screws **12d** (2,9 x 9,5) provided.

### Upper exhaust flue

- Slightly widen the two sides of the upper flue and hook them behind the brackets **7.2.1**, making sure that they are well seated.
- Secure the sides to the brackets using the 4 screws **12c** (2,9 x 6,5) supplied.

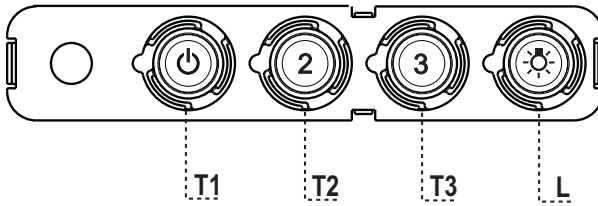
### Lower exhaust flue

- Slightly widen the two sides of the flue and hook them between the upper flue and the wall, making sure that they are well seated.
- Fix the lower part laterally to the hood body using the 2 screws **12c** (2,9 x 6,5) supplied.



# USE

---



---

## Control panel

---

BUTTON	LED	FUNCTIONS
T1	Speed On	Turns the Motor on at Speed one. Turns the Motor off.
T2	Speed On	Turns the Motor on at Speed two.
T3	Speed Fixed	When pressed briefly, turns the Motor on at Speed three.
L	Light	Turns the Lighting System on and off.

**Warning:** Button **T1** turns the motor off, after first passing to speed one.



# MAINTENANCE

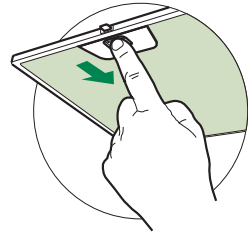
---

## Grease filters

---

### CLEANING METAL SELF-SUPPORTING GREASE FILTERS

- The filters must be cleaned every 2 months of operation, or more frequently for particularly heavy usage, and can be washed in a dishwasher.
- Remove the filters one at a time by pushing them towards the back of the group and pulling down at the same time.
- Wash the filters, taking care not to bend them. Allow them to dry before refitting.
- When refitting the filters, make sure that the handle is visible on the outside.



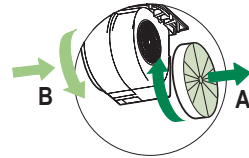
### Activated charcoal filter (Recirculation version)

---

These filters are not washable and cannot be regenerated, and must be replaced approximately every 4 months of operation, or more frequently with heavy usage.

### REPLACING THE ACTIVATED CHARCOAL FILTER

- Remove the metal grease filters
- Remove the saturated activated charcoal filter as shown (A).
- Fit the new filters (B).
- Replace the metal grease filters.



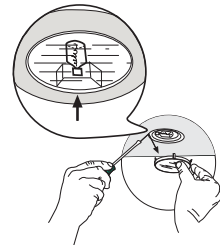
## Lighting

---

### LIGHT REPLACEMENT

#### 20 W halogen light.

- Remove the snap-on lamp cover by levering it from under the metal ring, supporting it with one hand.
- Remove the halogen lamp from the lamp holder by pulling gently.
- Replace the lamp with a new one of the same type, making sure that you insert the two pins properly into the housings on the lamp holder.
- Replace the snap-on lamp cover.



CE