

WARNINGS - COMPONENTS

WARNINGS

This appliance has been designed for use as either an **EXTRACTION** (ducting to the outside) or **RE-CIRCULATION** (filtering) hood. The measurements contained on the drawings in this booklet refer to two models of cooker hood. Therefore, it is essential that you refer to the correct drawing when taking measurements for installation.

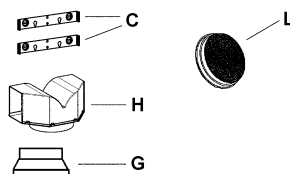
- **The minimum distance between the cooking surface and the metal grease filters on the underside of the hood must be 650mm.**
- **This cooker hood must be installed in accordance with the installation instructions and all requirements must be adhered to.**
- **If the room where the cooker hood is to be used contains a fuel burning appliance such as a central heating boiler then its flue must be of the room sealed or balance flue type.**
- **If other types of flue or appliances are fitted ensure that there is an adequate supply of air to the room.**
- **When the range hood and appliance supplied with energy other than electricity are simultaneously in operation, the negative pressure in the room must not exceed 4 Pa (4×10^{-5} bar).**
- **The ducting system for this appliance must not be connected to any ventilation system which is being used for any other purpose.**
- **The ducting system for this appliance must not be connected to any existing ventilation system which is being used for any other purpose.**
- **Do not leave naked flames or carry out flambè cooking under this cooker hood.**
- **This appliance is not intended for use by persons (including children) with reduced physical, sensory or mental capabilities, or lack of experience and knowledge, unless they have been given supervision or instruction concerning use of the appliance by a person responsible for their safety.**
- **Children should be supervised to ensure that they do not play with the appliance.**


CONNECTING THE POWER CABLE TO THE MAINS POWER SUPPLY

Before installation, check that the mains voltage indicated on the rating plate inside the appliance corresponds to the voltage available in your home. If the Hood is not fitted with a plug, fit the power cable with a plug of a type approved for the load indicated on the rating plate; when connecting directly to the mains, insert an omnipolar circuit breaker with a minimum contact aperture of 3mm and a size suitable for the load in question between the appliance and the mains supply, making sure it is of a type that complies with current regulations.

COMPONENTS

- 2 No Wall Brackets **C**
- 1 No 150-120mm Ducting Spigot **G**
- 1 No Air Outlet Connection **H**
- 2 No Charcoal Filters **L** (Optional)



The symbol  on the product or on its packaging indicates that this product may not be treated as household waste. Instead it shall be handed over to the applicable collection point for the recycling of electrical and electronic equipment. By ensuring this product is disposed of correctly, you will help prevent potential negative consequences for the environment and human health, which could otherwise be caused by inappropriate waste handling of this product. For more detailed information about recycling of this product, please contact your local city office, your household waste disposal service or the shop where you purchased the product.

INSTALLATION

The cooker hood must be installed centrally over a cooking appliance. The minimum distance between the cooking surface and the metal grease filters on the underside of the hood must be at least 650mm.

To install the hood proceed as follows:

- 1) Drill six 8mm diameter holes at **X1-X2-J** and insert the plastic rawl plugs supplied as illustrated in fig. 2 ensuring the brackets are fitted as shown in the blow up.
- 2) Secure the two brackets **C** to the wall inserting two of the screws supplied through the two holes on line **X1-X2** as illustrated in fig. 2.
- 3) Slide the canopy down the wall to locate the key hole over the washer then secure the canopy to the wall by inserting two of the screws supplied through the two outer holes in the rim of the canopy **J1** and **J2** as illustrated in fig. 3.
- 4) **EXTRACTION OR RECIRCULATION INSTALLATION:**

• EXTRACTION (DUCTED)

When installing the ducted version, connect the hood to the chimney using either a flexible or rigid pipe \varnothing 150 or 120 mm, the choice of which is left to the installer.

- To install a \varnothing 120 mm air exhaust connection, insert the reducer flange **9** on the hood body outlet.
- Fix the pipe in position using sufficient pipe clamps (not supplied).
- Remove any activated charcoal filters.

• RECIRCULATION (FILTERED)

- When the hood is fitted in the recirculation mode the Air Outlet Connection **H** should be fitted as illustrated in fig. 6.
- Fit the (optional) charcoal filters by repeating the following operation on each side of the motor housing. Place the two key hole slots in the filter **L** and turn the filter clockwise to lock the filter in position as illustrated in fig. 7.

WARNING: It is a possible fire hazard if the metal grease filters are not cleaned and the charcoal filters replaced regularly.

Fitting The Chimney

5) FITTING THE CHIMNEY UPPER

To fit the upper chimney **A**, place the top edge of the chimney over the bracket **C** as illustrated in fig. 8 and secure the chimney using two of the 2.9mm self tapping screws provided.

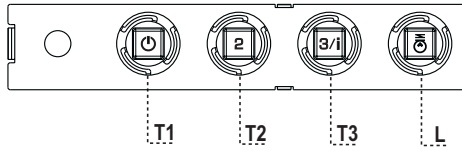
The distance **H** in the height between the fixing holes **X1** and **X2** is determined by the height of the upper chimney **A**.

6) FITTING THE CHIMNEY LOWER

To fit the lower chimney **B**, apply slight force to the two rear edges to increase the width of the aperture, then sleeve the chimney **B** over the chimney **A** as illustrated in fig. 9.

USE - MAINTENANCE

USE



Control panel

BUTTON	LED	FUNCTIONS
T1 Speed	On	Turns the Motor on at Speed one. Turns the Motor off.
T2 Speed	On	Turns the Motor on at Speed two.
T3 Speed	Fixed Flashing	When pressed briefly, turns the Motor on at Speed three. Pressed for 2 Seconds. Activates Speed four with a timer set to 10 minutes, after which it returns to the speed that was set previously. Suitable to deal with maximum levels of cooking fumes.
L Light		Turns the Lighting System on and off.

Warning: Button **T1** turns the motor off, after first passing to speed one.

MAINTENANCE

N.B. Before any maintenance, repairs or when changing the lights, always disconnect the appliance from the power supply.

1. Lighting

To change these, proceed as follows (fig. 10):

Remove one of the pins at the sides of the light fixture. Slide the glass towards the side without the pin, until the opposite side is freed, then pull gently downwards. Change the lamps and reassemble the glass by proceeding in reverse order.

2. Filters

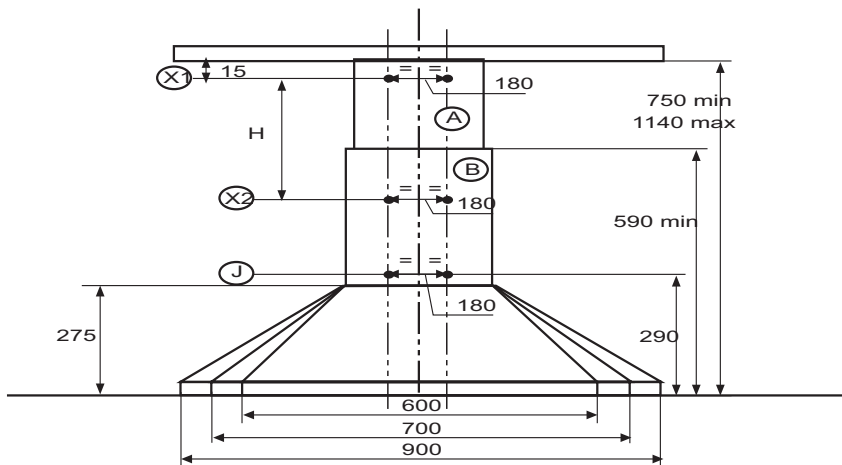
At more or less frequent intervals, according to how much the hood is used, and in any case at least once every 2 months, the metal filters should be dismantled and washed in hot, soapy water, or directly in the dishwasher, then dried and replaced (the activated charcoal filters must never be washed, and must be replaced every 2 months).

3. Cleaning

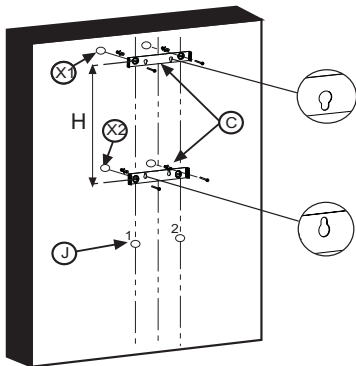
To clean the exterior of the hood use a cloth damped with alcohol or other suitable commercially available products. Do not use abrasive substances.

IMPORTANT: Use of an open flame may damage the filters, so it is not recommended that the gas burners be left turned on without a pan over them. The hood and filters must be cleaned and replaced according to the instructions provided in order to avoid the risk of fire.

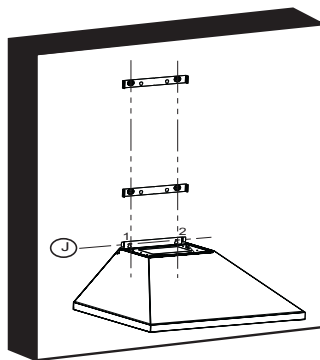
WARNING: The manufacturer will not be considered liable for any damage caused by failure to carry out maintenance on the metal grease filter (washing every two months), replacement of the activated charcoal filter and failure to comply with the instructions for fitting and electrical connection provided above.



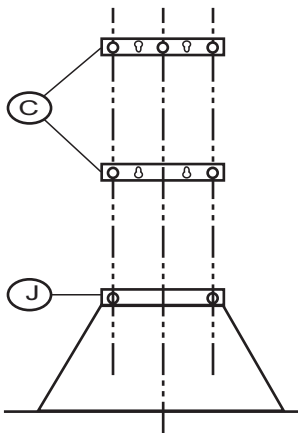
1



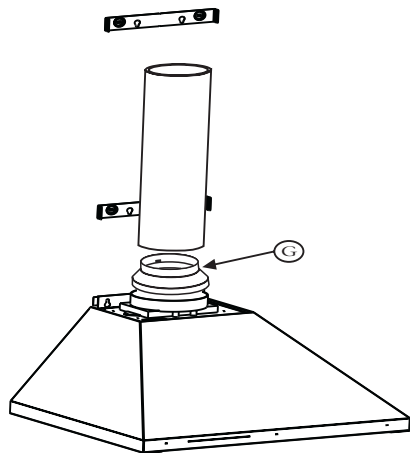
2



3

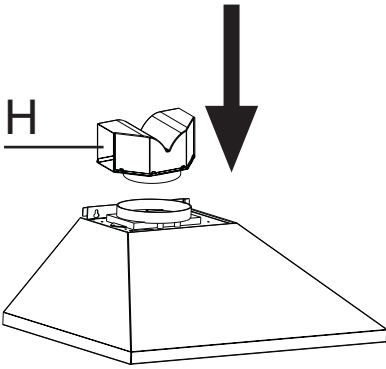


4

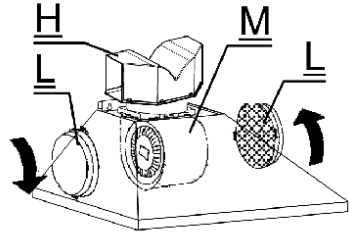


5

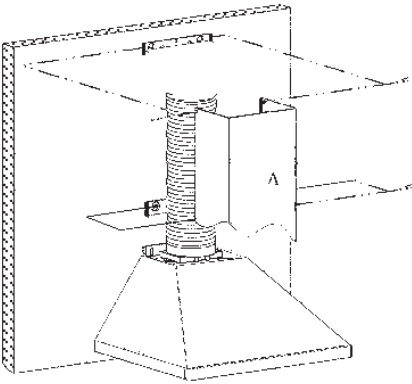
6



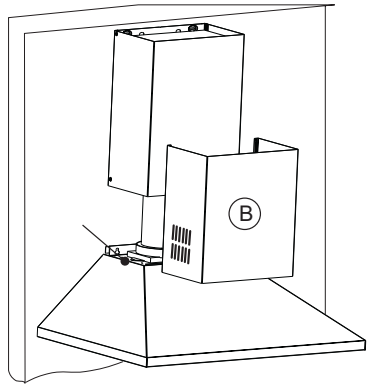
7



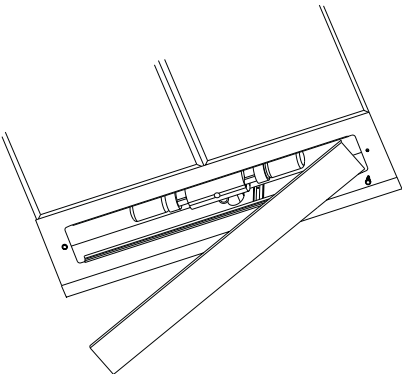
8



9



10



11

