

Instructions Manual

Manuel d'Instructions

Bedienungsanleitung

Manual de instrucciones

Εγχειρίδιο οδηγιών

Руководство по эксплуатации

INDEX

EN

RECOMMENDATIONS AND SUGGESTIONS	3
CHARACTERISTICS	4
INSTALLATION.....	6
USE	10
MAINTENANCE	11

SOMMAIRE

FR

CONSEILS ET SUGGESTIONS.....	13
CARACTERISTIQUES.....	14
INSTALLATION.....	16
UTILISATION	20
ENTRETIEN.....	21

INHALTSVERZEICHNIS

DE

EMPFEHLUNGEN UND HINWEISE	23
CHARAKTERISTIKEN	24
MONTAGE	26
BEDIENUNG.....	30
WARTUNG.....	31

ÍNDICE

ES

CONSEJOS Y SUGERENCIAS.....	33
CARACTERÍSTICAS	34
INSTALACIÓN	36
USO.....	40
MANTENIMIENTO	41

ΠΕΡΙΕΧΟΜΕΝΑ

GR

ΣΥΜΒΟΥΛΕΣ ΚΑΙ ΣΥΣΤΑΣΕΙΣ	43
ΧΑΡΑΚΤΗΡΙΣΤΙΚΑ.....	44
ΕΓΚΑΤΑΣΤΑΣΗ	46
ΧΡΗΣΗ	50
ΣΥΝΤΗΡΗΣΗ.....	51

УКАЗАТЕЛЬ

RU

СОВЕТЫ И РЕКОМЕНДАЦИИ	53
ΧΑΡΑΚΤΗΡΙΣΤΙΚΑ.....	54
УСТАНОВКА.....	56
ЭКСПЛУАТАЦИЯ.....	60
УХОД.....	61

RECOMMENDATIONS AND SUGGESTIONS

△ The Instructions for Use apply to several versions of this appliance. Accordingly, you may find descriptions of individual features that do not apply to your specific appliance.

INSTALLATION

- The manufacturer will not be held liable for any damages resulting from incorrect or improper installation.
- The minimum safety distance between the cooker top and the extractor hood is 650 mm (some models can be installed at a lower height, please refer to the paragraphs on working dimensions and installation).
- Check that the mains voltage corresponds to that indicated on the rating plate fixed to the inside of the hood.
- For Class I appliances, check that the domestic power supply guarantees adequate earthing.

Connect the extractor to the exhaust flue through a pipe of minimum diameter 120 mm. The route of the flue must be as short as possible.


- Do not connect the extractor hood to exhaust ducts carrying combustion fumes (boilers, fireplaces, etc.).
- If the extractor is used in conjunction with non-electrical appliances (e.g. gas burning appliances), a sufficient degree of aeration must be guaranteed in the room in order to prevent the backflow of exhaust gas. The kitchen must have an opening communicating directly with the open air in order to guarantee the entry of clean air.

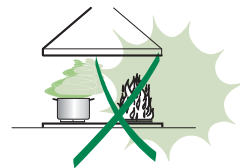
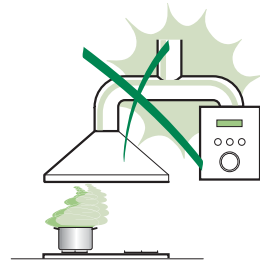
USE

- The extractor hood has been designed exclusively for domestic use to eliminate kitchen smells.
- Never use the hood for purposes other than for which it has been designed.
- Never leave high naked flames under the hood when it is in operation.
- Adjust the flame intensity to direct it onto the bottom of the pan only, making sure that it does not engulf the sides.
- Deep fat fryers must be continuously monitored during use: overheated oil can burst into flames.
- Do not flambé under the range hood; risk of fire
- This appliance is not intended for use by persons (including children) with reduced physical, sensory or mental capabilities, or lack of experience and knowledge, unless they have been given supervision or instruction concerning use of the appliance by a person responsible for their safety.
- Children should be supervised to ensure that they do not play with the appliance.

MAINTENANCE

- Switch off or unplug the appliance from the mains supply before carrying out any maintenance work.
- Clean and/or replace the Filters after the specified time period (Fire hazard).
- Clean the hood using a damp cloth and a neutral liquid detergent.

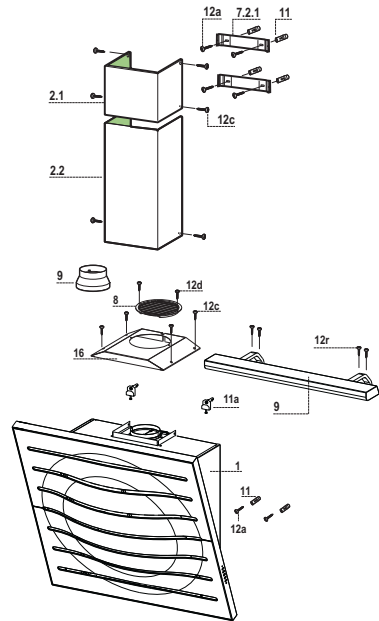
The symbol  on the product or on its packaging indicates that this product may not be treated as household waste. Instead it shall be handed over to the applicable collection point for the recycling of electrical and electronic equipment. By ensuring this product is disposed of correctly, you will help prevent potential negative consequences for the environment and human health, which could otherwise be caused by inappropriate waste handling of this product. For more detailed information about recycling of this product, please contact your local city office, your household waste disposal service or the shop where you purchased the product.



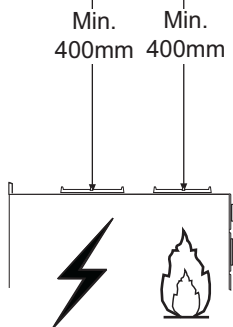
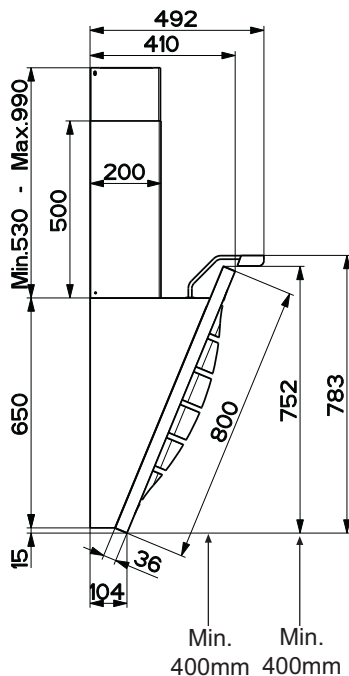
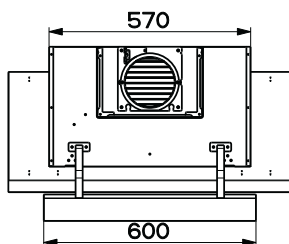
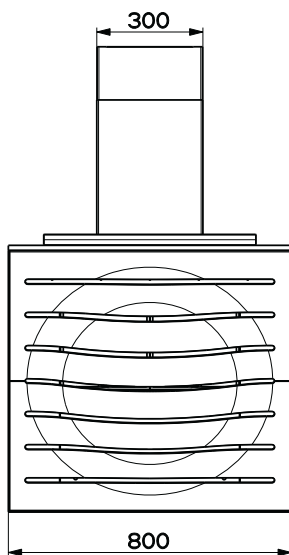
CHARACTERISTICS

Components

Ref.	Q.ty	Product Components
1	1	Hood Canopy complete with: Controls, Light, Fan unit, Filters
2.1	1	Upper chimney
2.2	1	Lower chimney
5	1	Lighting unit
8	1	Directional air outlet grille
9	1	Reduction flange 150-120
16	1	Filter cover
Ref.	Q.ty	Installation Components
7.2.1	2	Upper chimney fixing brackets
11	6	Plugs
11a	2	SB 12/10 Wall Plugs
12a	6	Screws 4.2 x 44.4
12c	10	Screws 2.9 x 6.5
12r	4	Screws 4.2 x 12.7
12d	2	Screws 2.9 x 9.5
Q.ty	Documentation	
1	Instruction Manual	

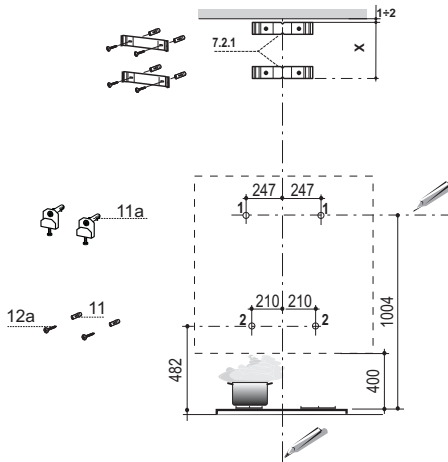


Dimensions



INSTALLATION

Wall drilling and bracket fixing



As a first step, proceed with the following drawings:

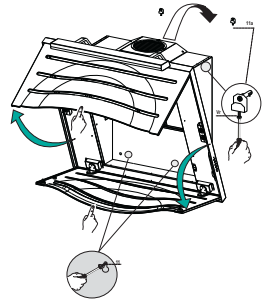
- a vertical line up to the ceiling or up to the upper limit, at the centre of the area in which the hood is to be fitted;
- a horizontal line at a minimum 1004 mm above the cooker top.
- Mark a point **(1)** on the horizontal line, 247 mm to the right of the vertical reference line.
- Repeat this operation on the other side, checking that the two marks are levelled.
- Mark a reference point **(2)** as indicated at 210 mm from the vertical reference line and 482 mm above the cooker top.
- Repeat this operation on the other side, checking that the two marks are levelled.
- Drill at the marked points **(1)**, using a \varnothing 12 mm drill bit.
- Drill at the marked points **(2)** using a \varnothing 8 mm drill bit.
- Insert the bracket plugs **11a** into the holes **(1)** and tighten the screws.
- Insert plug **11** into holes **(2)**.

To install a decorative chimney (optional)

- Place bracket **7.2.1** on the wall, about 1-2 mm from the ceiling or from the upper limit, aligning the centre (notch) with the vertical reference line.
- Mark the wall at the centres of the bracket holes.
- Place the bracket **7.2.1** on the wall at X mm below the first bracket (X = height of the upper chimney section), aligning the centre (notch) with the vertical line.
- Mark the wall at the centres of the bracket holes.
- Drill \varnothing 8 mm holes at all the marked centre points.
- Insert the wall plugs **11** in the holes.
- Fix the brackets using the **12a** screws (4,2 x 44,4) supplied with the hood.

Fitting the hood body

- Open the doors.
- The top one is free, the bottom one has a safety cable.
- Remove the Metal grease filters using the handles provided.
- Adjust the two screws **Vr**, in the brackets **11a**, so that they are at the start of their travel.
- Hook the hood body to the two brackets **11a**.
- From the inside of the hood body, turn screws **Vr** to level the hood body itself.
- Fasten the safety screw **11**.
- Close the doors again.

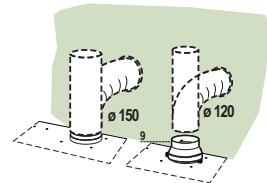


Connections

DUCTED VERSION AIR EXHAUST SYSTEM

When installing the ducted version, connect the hood to the chimney using either a flexible or rigid pipe \varnothing 150 or 120 mm, the choice of which is left to the installer.

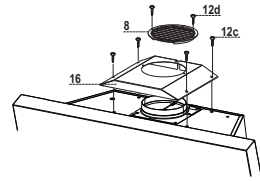
- To install a \varnothing 120 mm air exhaust connection, insert the reducer flange **9** on the hood body outlet.
- Fix the pipe in position using sufficient pipe clamps (not supplied).
- Remove possible charcoal filters.



RECYCLING VERSION AIR OUTLET

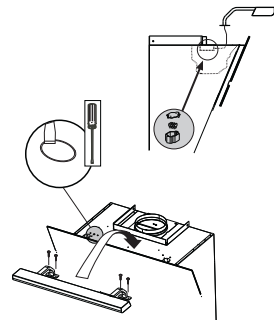
To install the hood in recycling version, the optional charcoal filter kit must be purchased.

- Remove the chimney angle bracket.
- Screw the filter cover onto the air outlet, using four screws **12c** (2.9 x 12.5).
- Fix the air outlet grid **8** on the recirculation air outlet using the 2 screws **12d** (2,9 x 9,5) provided.



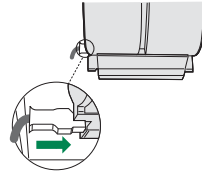
Fitting the Lighting Unit

- A pre-perforated plug is provided on the top part of the Hood set up for the lighting unit. This must be opened using a tool.
- Insert the Lighting unit cable into the opening.
- Rest the Lighting unit **9** on the upper part of the hood.
- Fix it using the Screws **12r** provided.
- Remove grease filters.
- Inside the hood canopy near the Plug that has just been broken open there is a wiring box for connection of the lighting unit.
- Open the box and connect the wires to the terminal inside it, checking that the colours are combined properly.
- Close the wiring box, replace the grease filters and close the doors.



ELECTRICAL CONNECTION

- Connect the hood to the mains through a two-pole switch having a contact gap of at least 3 mm.
- Remove the grease filters (see paragraph Maintenance) being sure that the connector of the feeding cable is correctly inserted in the socket placed on the side of the fan.



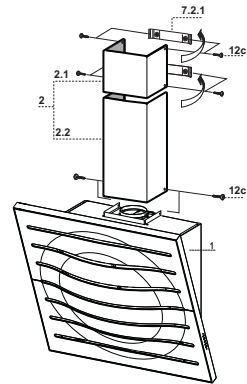
Chimney assembly

Upper exhaust Chimney

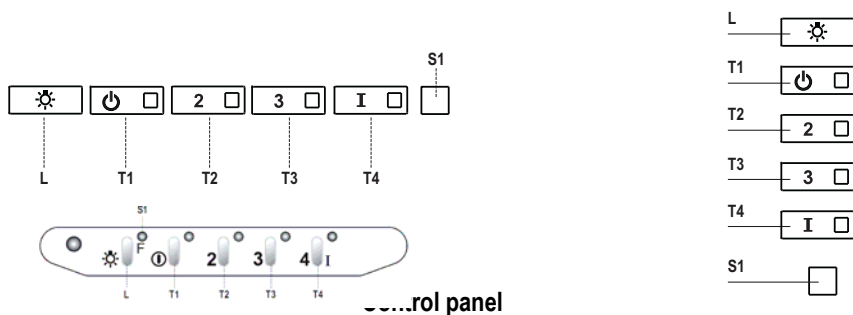
- Slightly widen the two sides of the upper chimney and hook them behind the brackets **7.2.1**, making sure that they are well seated.
- Secure the sides to the brackets using the 4 screws **12c** (2,9 x 9,5) supplied.

Lower exhaust Chimney

- Slightly widen the two sides of the chimney and hook them between the upper chimney and the wall, making sure that they are well seated.
- Fix the lower part laterally to the hood body using the 2 screws **12c** (2,9 x 9,5) supplied.



USE



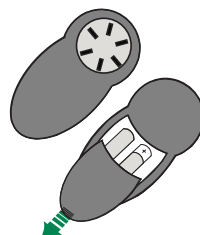
Button	Led	Function
L	-	Turns the lights on/off at maximum strength.
T1	Fixed	Turns the motor on/off at speed one.
T2	Fixed	Turns the Motor on at speed two.
		Press and hold the button for approximately 5 seconds, with all the loads turned off (Motor and Lights), to turn the Activated Charcoal Filter alarm on. The relevant LED flashes twice to confirm. To turn the alarm off, press the button again and hold for at least 5 seconds. The relevant LED flashes once.
T3	Fixed	Turns the Motor on at speed three.
		Press and hold the button for approximately 3 seconds, with all the loads turned off (Motor and Lights), to perform a reset. The LED S1 flashes three times.
T4	Fixed	Turns the Motor on at INTENSIVE Speed. This speed is timed to run for 10 minutes. At the end of this time, the system returns automatically to the speed that was set before. If it is activated with the motor turned off, the hood will switch to OFF at the end of the time.
		Press and hold for 5 seconds to enable the remote control, indicated by the LED flashing twice. Press and hold for 5 seconds to disable the remote control, indicated by the LED flashing just once.
S1	Fixed	Signals the Metal Grease Filter saturation alarm, indicating that it is necessary to wash the filters. The alarm is triggered after the Hood has been in operation for 100 working hours. (Reset see the parag. Maintenance)
	Flashing	When this is activated, it signals the Activated Charcoal Filter saturation alarm, indicating that the filter must be changed; the Metal Grease Filters must also be washed. The Activated Charcoal Filter saturation alarm comes into operation after the Hood has been working for 200 hours. (Activation and Reset see the parag. Maintenance)

MAINTENANCE

REMOTE CONTROL (OPTIONAL)

The appliance can be controlled using a remote control powered by a 1.5 V carbon-zinc alkaline batteries of the standard LR03-AAA type (not included).

- Do not place the remote control near to heat sources.
- Used batteries must be disposed of in the proper manner.



Metal grease filters

These can be washed in the dishwasher, and need to be cleaned whenever the **S1** Led comes on or at least once every 2 months use, or more frequently if use is particularly intensive.

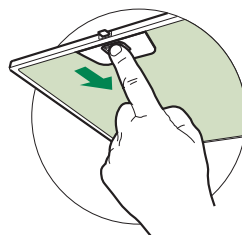
CLEANING THE FILTERS

Resetting the alarm signal

- Turn the Lights and the Suction Motor off.
- Press **T3** and hold for at least 3 seconds, until LED flashes three times in confirmation.

Cleaning the Filters

- Open the doors.
- Remove the Filter, pushing it towards the back of the unit and at the same time pulling downward.
- Wash the filter without bending it, and leave it to dry thoroughly before replacing (if the surface of the filter changes colour over time, this will have absolutely no effect on its efficiency).
- Replace, taking care to ensure that the handle faces forwards.
- Close the doors again.



Activated Charcoal Filter (Recirculation Version)

This cannot be washed or regenerated, and must be changed when led **S1** starts to flash, or at least once every 4 months. The Alarm signal, if it has been activated, only appears when the Suction motor is turned on.

Activating the alarm signal

- In Recirculation Version Hoods, the Filter Saturation Alarm must be activated on installation or at a later date.
- Turn the Lights and the Suction Motor off.
- Press button **T2** and hold it for **5 seconds** until the LED flashes twice in confirmation:

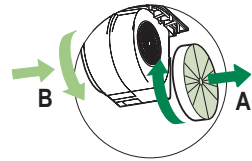
CHANGING

Resetting the alarm signal

- Turn the Lights and the Suction Motor off.
- Press **T3** and hold for at least 3 seconds, until LED flashes three times in confirmation.

Changing the Filter

- Open the doors.
- Remove the Metal Grease Filter.
- Remove the saturated Activated Charcoal Filters, as indicated (**A**).
- Fit the new Filters, as indicated (**B**).
- Replace the Metal grease filters.
- Close the doors.

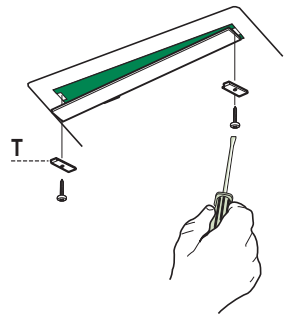


Lighting

LIGHT REPLACEMENT

14 W neon light.

- Remove the metal terminals **T** fixing the glass cover or the metal panel.
- Slide the glass cover or the metal panel to the right until the left hand is free. Lower it slightly and slide it to the left to free it completely.
- Replace the light with a new one of the same type and rating.
- Replace the glass cover or the metal panel in reverse order.



CE