

IT

PIANO COTTURA ELETTRICO DA INCASSO

Libretto istruzioni per: Installazione - Manutenzione - Uso

GB**IE**

ELECTRIC BUILT-IN HOB

Operating instructions for: Installation - Maintenance - Use

FR

PLAN DE CUISSON À ENCASTRER ÉLECTRIQUE

Livret d'instructions pour: Installation - Entretien - Emploi

DE

ELEKTRO-EINBAUKOCHFELD

Anleitungen für: Installation - Wartung- Gebrauch

ES

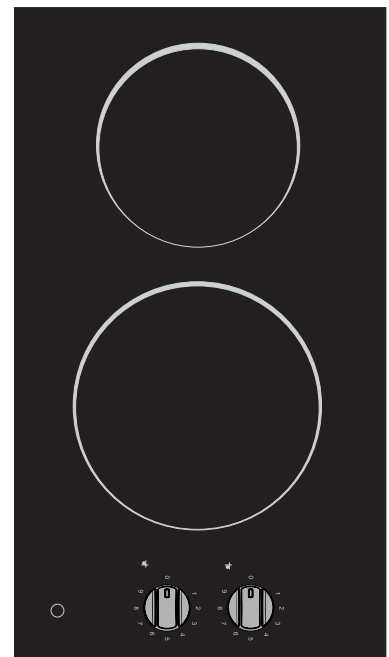
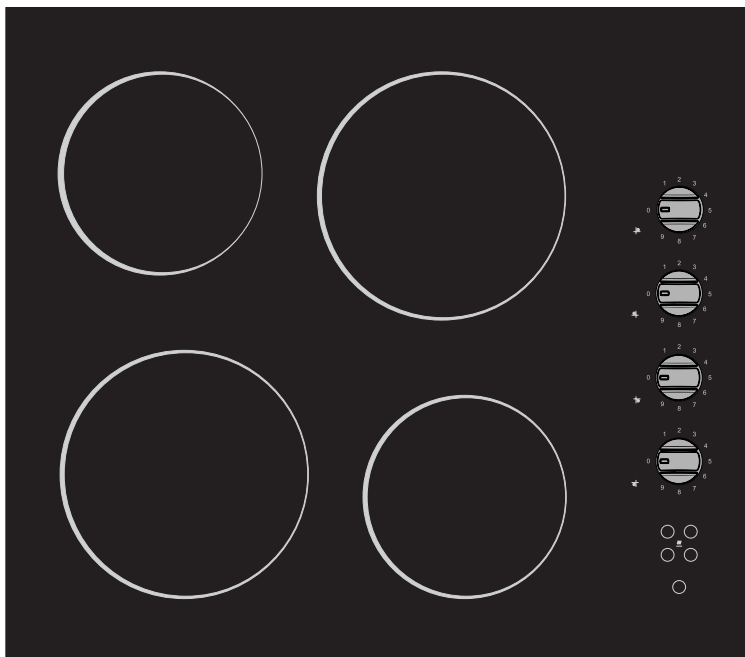
ENCIMERA DE EMPOTRAR ELÉCTRICA

Folleto de instrucciones para: Instalación - Manutención - Uso

PT


PLANO DE COZEDURA DE ENCAIXE ELÉCTRICO

Manual de instruções para: Instalação - Manutenção - Uso



Before leaving the factory, this appliance has been inspected and adjusted by expert and qualified personnel so that it gives the best operating results. Any repair or adjustment that may subsequently be necessary must be done with the greatest care and attention. For this reason, we recommend you always contact the Dealer who sold the appliance or our nearest Service Centre, specifying the type of problem and the model of appliance in your possession. Please also remember that the original spare parts are available only at our Technical Service Centres. Do not leave the waste from the packaging unguarded but, both for the safety of children and for the protection of the environment, dispose of it at a centre for differentiated waste collection.



The symbol  on the product or on the packaging indicates that the product must not be considered normal household waste, but must be taken to the appropriate point of collection for recycling electrical and electronic appliances. The correct disposal of this product contributes to avoiding potential negative consequences for the environment and for health. For more detailed information on the recycling of this product, please contact your municipal offices, the local waste disposal service or the store where you bought the product.

CONTENTS

General warnings	page	13-14
Instructions for use	page	15
Maintenance and cleaning	page	16
Instructions for installation	page	17-19

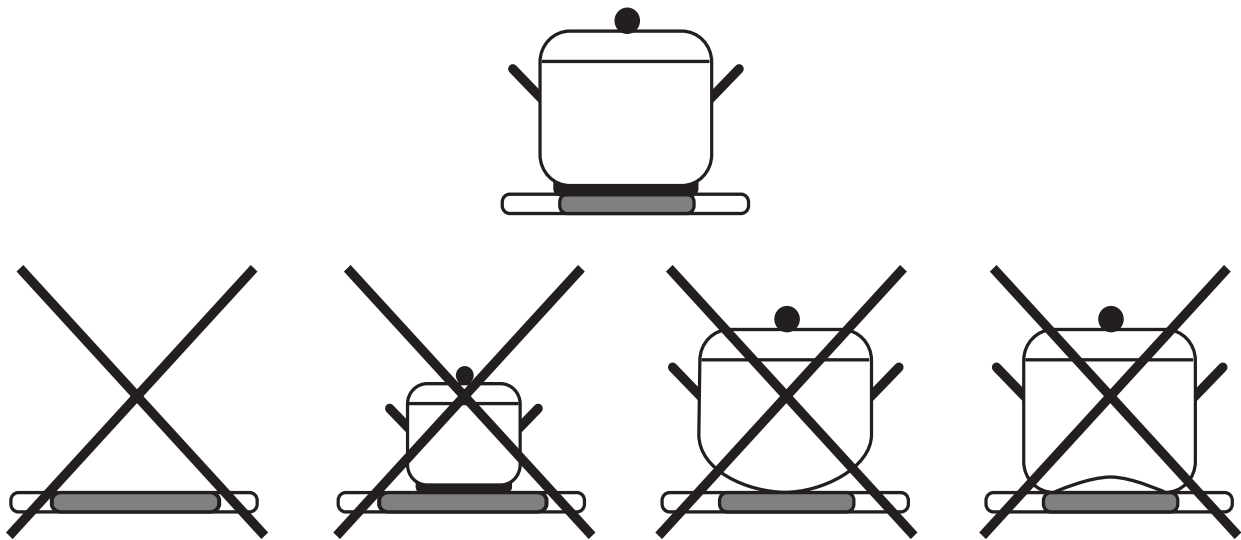
Dear Customer,

Thank you for your preference for our product. This appliance is easy to use. Before installing and using it, however, please read this booklet carefully. It contains the correct indications for optimal installation, use and maintenance of the product.

- It is very important to keep this instruction booklet together with the appliance in the event that it is transferred to another person.
- **This appliance has been designed for non-professional use by private individuals in homes. It must therefore be used by adults aware of potential dangers and children should not be allowed to approach it with the intention of playing. During use, the appliance may be subject to significant heating of the accessible front parts.**
- **Watch over children and people who are not auto-sufficient for all the time the hob is on so that they do not touch the hot surface and are not near the appliance when it is on.**
- The product must be installed by competent and qualified fitters aware of the regulations on installation currently in force.
- Before maintenance or cleaning, disconnect the appliance electrically and wait for it to cool down.
- Before removing pans, the relative heating element should be switched off.
- The power cable of the appliance must not be replaced by the user. For replacement, contact qualified personnel only.
- If even only a minimum crack appears on the surface of the glass ceramic hob, immediately disconnect the electricity.
- Do not place aluminium foil, plastic containers or any material that perishes with heat on the hot surfaces. Do not use the glass ceramic as a base to support other objects.
- Do not use jets of vapour for cleaning.
- For any repairs, always contact an authorized Service Centre and ask for original spare parts only. Repairs by non-competent personnel may cause

damage.

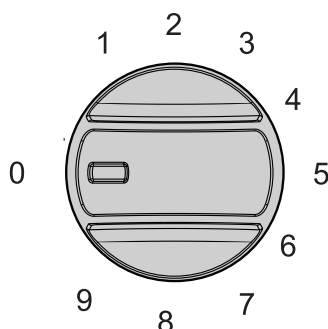
- Glass, porcelain and steel containers can also be used on condition that they have a very flat base. Containers with a suitable diameter for that of the cooking areas should be used. Do not use containers with a smaller diameter than that of the cooking area and do not switch on the cooking areas without containers.
- Take care not to place pans with an unstable or deformed bottom on the heating surfaces in order to avoid accidents by spillage or overflowing of fluids. Do not switch on the cooking areas without containers.



This appliance is compliant with the Directives:

- 2006/95/EC (low voltage appliances)
- 2004/108/EC (electromagnetic compatibility)
- 89/109/EC (parts in contact with food)
- 2002/96/EC (WEEE)


The knobs to switch on the individual heating elements are in the control area of the hobs.



- **Switching on the cooking area:**

Turn the knob of the cooking area selected until the regulation desired; the higher the number, the longer the heating element is on and therefore the greater the heat.

Extended area (if present):

To switch on the extended area, the relative knob () has to be turned in a clockwise direction until the click and then positioned on the regulation desired. To switch off the extended area, switch off the heating element then return the knob to the position desired.

- **Switching off the cooking area:**

To switch off the heating element, position the knob on “0”.

Notes:

As well as the general pilot light, there are also warning lights for residual heat on the control panel. These remain on after the heating element has been switched off until the temperature of the relative heating area cools down (about 50°C).

Maintenance and cleaning

Before each operation, disconnect the appliance from the mains.

After each use, when cool, clean the hob eliminating even the small residues which, when the hob is switched on again, can become impossible to remove. Only use suitable products, avoiding steel wool pads, abrasive sponges and powder detergents as these products can scratch the surface of the glass.

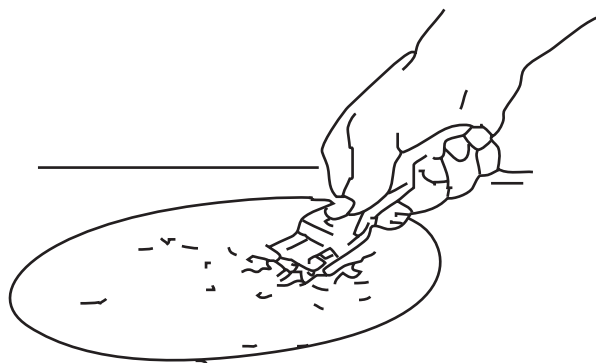
Sprays to clean ovens are not suitable as they are aggressive and damaging for the surface of the glass.

Slight residue can be removed with a damp cloth or with hot soapy water.

Ring marks from soap can be removed with water which must be dried using a soft cloth.

Marks of scale, caused by boiling liquids overflowing from the containers, are removed with vinegar, lemon or an anti-scale product. Eliminate residues of detergent as, the next time they heat up, they could become aggressive for the glass.

For **resistant and hardened incrustations** we recommend using a scrape for windows with a metallic blade which can easily be found on the market (see figure).



Do not use jets of steam for cleaning.

To remedy any anomalies of functioning, please contact qualified personnel.

Electric connection

The appliance must be connected electrically only by qualified personnel aware of the current regulations on installation in force.

The appliance is ready for operating in alternating current, at the voltage shown on the “characteristic data” plate shown at the end of the booklet and on the product (also see any connection diagram on the product).

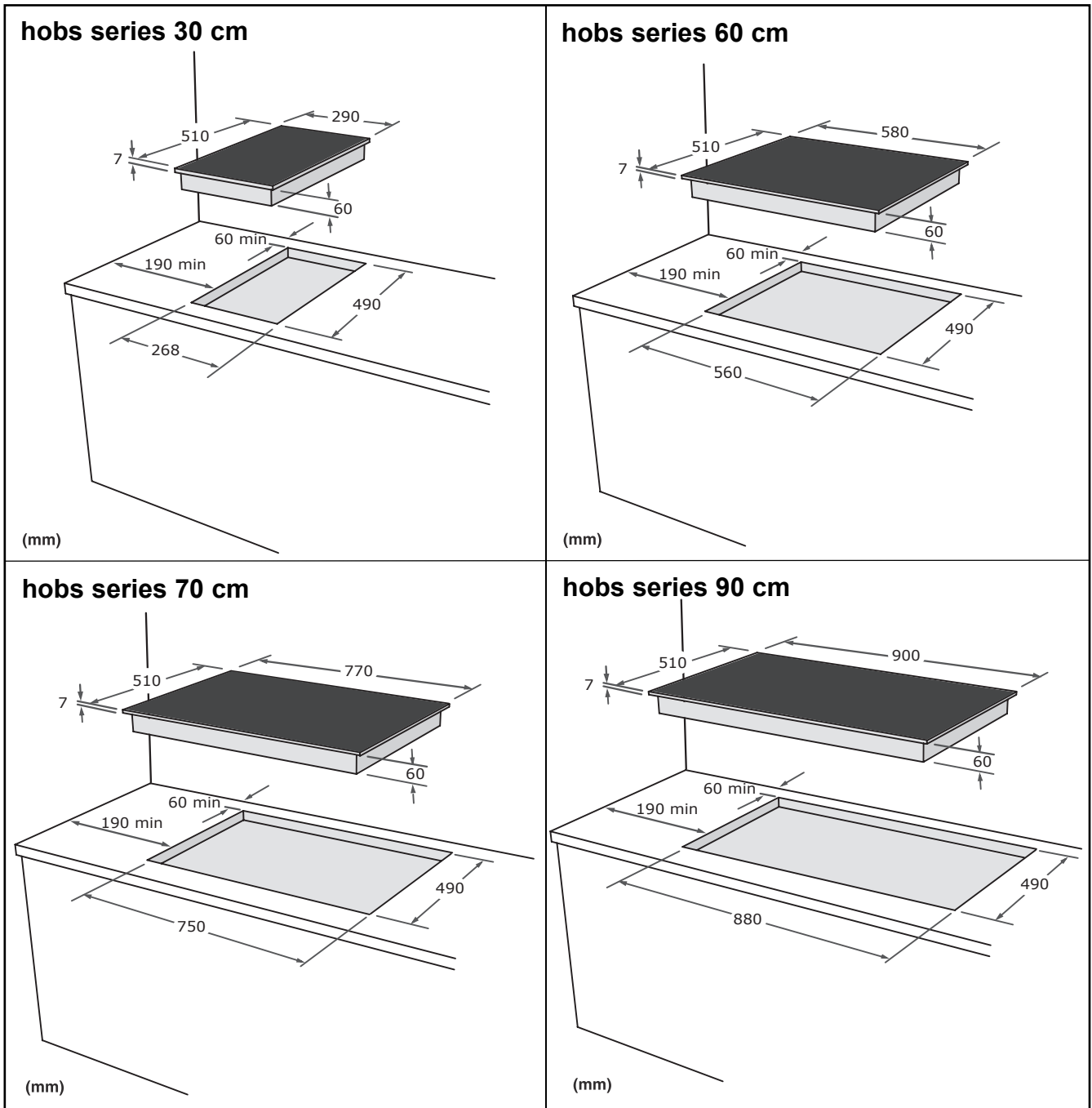
In the case of connection directly to the mains, an omnipolar switch must be placed between the appliance and the mains with a minimum opening between the contacts of at least 3 mm dimensioned to the load and in the respect of the regulations currently in force. The yellow/green earth wire must not be interrupted by this switch.

The power supply cable must be H05RR-F and must be positioned in such a way that at no point can a temperature 50°C above ambient temperature be reached.

Before making the connection, check that the power circuit has an effective earthing that meets regulations in force and that the socket or the omnipolar switch is easily reached when the appliance is installed.

The manufacturer declines all liability in the event that the regulations in force are not respected.

Instructions for fitting into kitchen units

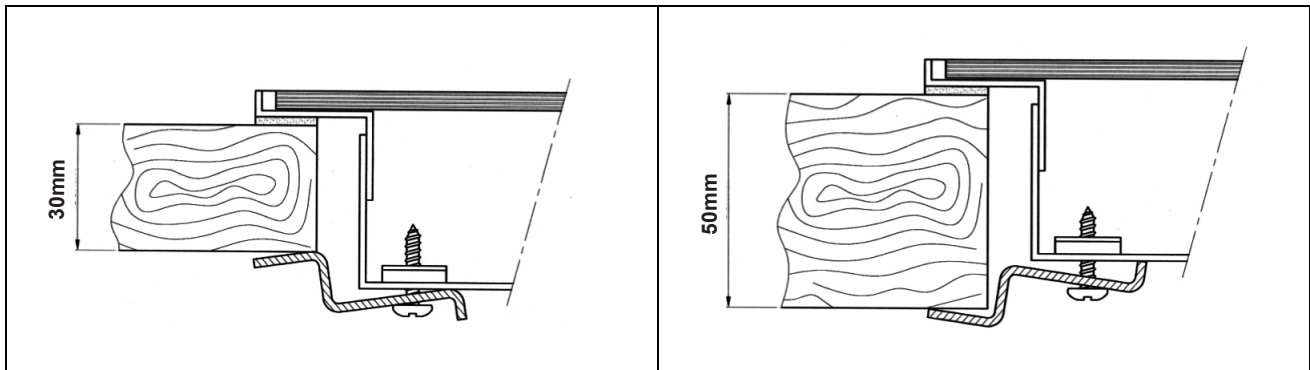


The appliance can be fitted into all types of units the walls of which resist an extra temperature of at least 65° C above the ambient temperature (EN 60335 - 2 - 6). Avoid installing it near inflammable materials, for example curtains, cloths etc.

Position the special sealing trim (supplied) on the perimeter of the hob, taking care that the ends meet without overlapping.

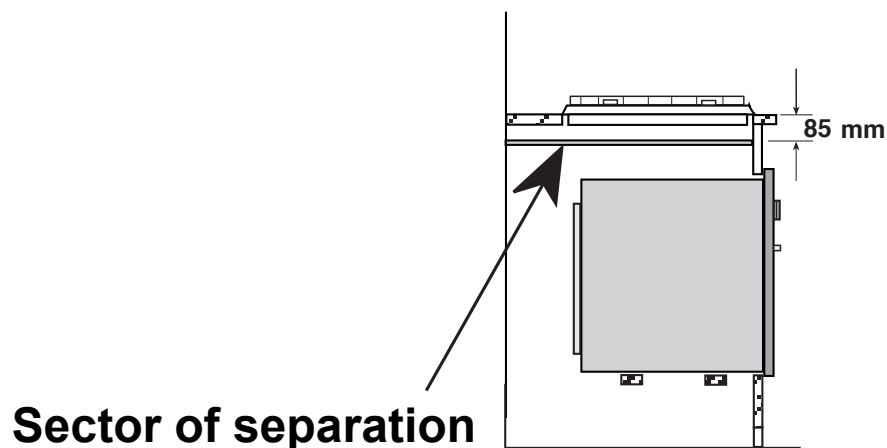
Introduce the hob into the opening of the unit, taking care to centre it.

Fix the hob to the unit with the special fixing brackets.

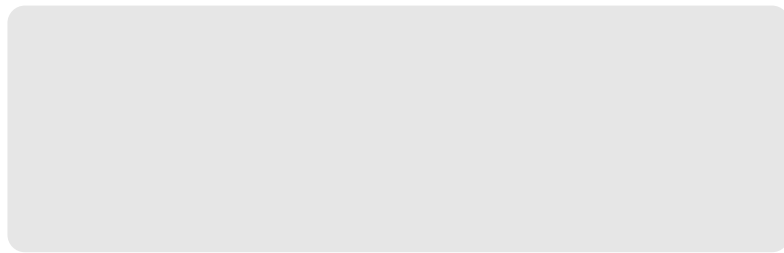


Warnings

Any presence of a cupboard above the hob must have a minimum distance from the top of 600 mm. In order to avoid excessive overheating, even in the absence of an oven underneath, a sector of separation is necessary to avoid excessive overheating, at least of the dimension of the fitting bolts.



Etichetta dati caratteristici del prodotto
Rating plate of the product
Plaque des caractéristiques du produit
ProduktEigenschafts-Daten
Placa características del producto
Placa os datos característicos do aparelho



Dis. S506_795 -|-
Cod. 099230009811
Rev. 0 del 11/08

