

**BUILT-UNDER  
LARDER**

*Instruction booklet*

*1700*

# INDEX

<b>BEFORE USING THE APPLIANCE</b> .....	<b>1</b>
SAFETY INSTRUCTIONS .....	1
RECOMMENDATIONS .....	2
SWITCHING ON THE APPLIANCE .....	3
<b>HOW TO OPERATE THE APPLIANCE</b> .....	<b>4</b>
THERMOSTAT SETTING .....	4
<b>FOOD STORAGE IN THE APPLIANCE</b> .....	<b>5</b>
<b>CLEANING AND MAINTENANCE</b> .....	<b>5</b>
DEFROSTING THE REFRIGERATOR .....	6
REPLACING THE LIGHT BULB .....	6
<b>BEFORE CALLING YOUR AFTER SALES SERVICE</b> .....	<b>7</b>
<b>PARTS OF THE APPLIANCE AND THE COMPARTMENTS</b> .....	<b>9</b>

## **PART 1. BEFORE USING THE APPLIANCE**

### **Safety Instructions**

- Please read this booklet thoroughly before installing and switching on the appliance. The manufacturer assumes no responsibility for incorrect installation and usage.
- **WARNING:** Keep ventilation openings in appliance enclosure on in structure for building in, clear of obstruction.
- If this appliance is to replace an old one equipped with a lock, break or remove the lock as a safety measure to avoid the danger of children locking them inside.
- If the model contains refrigerant isobutene (R600a), a natural gas with a high level of environmental compatibility, caution is required since isobutene is flammable. It is essential to ensure that refrigerant pipelines are not damaged during transportation and installation of the appliance. In the event that the refrigerant circuit is damaged, avoid open flames or ignition sources and ventilate the room in which the unit is placed.

## Recommendations

**Warning:** Do not use mechanical devices or other artificial means to accelerate the defrosting process. Do not use electrical appliances in the food storage of the appliance. Keep the appliance ventilation openings free. Do not damage the refrigerator's refrigerant circuit.

- Do not damage the refrigerant circuit.
- Do not allow children to play with the appliance. Children must never sit in the drawers or hang from the door.
- Do not use adapters or shunts, which could cause overheating or burning.
- Do not plug old, warped power supply cables.



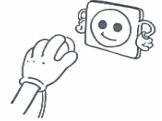
- Do not twist and bend the cables, and keep them away from hot surfaces.
- Do not plug the power supply with wet hands.
- Your old appliances contain insulation gases and refrigerant that must be disposed of properly. Please ensure that the refrigerant circuit is not damaged before the appliance is taken away for disposal.
- After installation make sure that the power cable is not trapped underneath appliance.
- This appliance is not intended for use by persons (including children) with reduced physical, sensory or mental capabilities, or lack of experience and knowledge, unless they have been given supervision or instruction concerning use of the appliance by a person responsible for their safety. Children should be supervised to ensure that they don't play with the appliance.
- If the supply cord is damaged it must be replaced by the manufacturer or service agent or appointed qualified person.
- Do not defrost the appliance with other electrical devices (i.e. hair dryer) or other artificial means.
- Do not operate any electrical appliances inside the refrigerator.
- Do not touch the cooling surfaces while the appliance operates, especially with wet hands, because the skin may stick to cold surfaces.
- The appliance is not intended for use by people (including children) with reduced physical, sensory or mental capabilities, or lack of experience and knowledge, unless they have been given supervision or instruction concerning use of the appliance by a person responsible for their safety. Children should be supervised to ensure that they don't play with the appliance.
- If the supply cord is damaged it must be replaced by the manufacturer or service agent or appointed person.



**Warning:** Do not use mechanical devices or other artificial means to accelerate the defrosting process. Do not use electrical appliances in the food storage of the appliance. Keep the appliance ventilation openings free. Do not damage the refrigerator's refrigerant circuit.

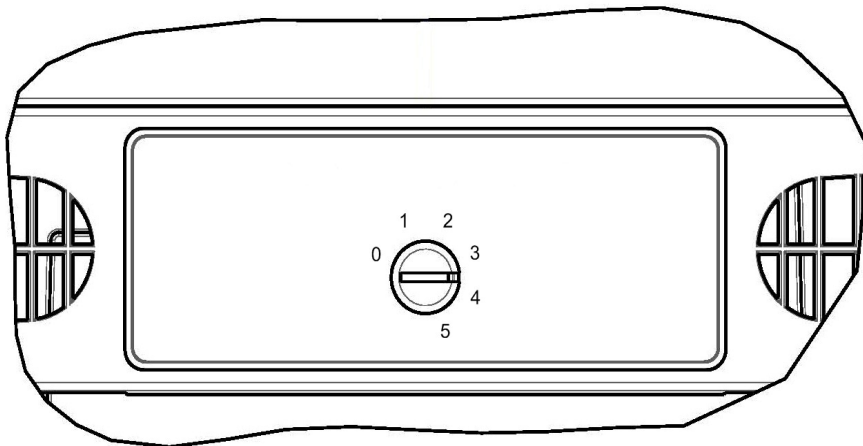
## Switching On the Appliance

- Before switching on, place the appliance on upright position and wait at least three hours without moving the appliance. This will give the refrigerant circuit time to settle and operate efficiently.
- Clean the appliance thoroughly, especially in the interior, before use (See Cleaning and Maintenance).
- Installation of the appliance and electrical connections must be carried out by a qualified technician, in accordance with the Installation Manual and local regulations.
- Installation procedure into the kitchen unit is given in the Installation Manual. This product is intended to be used in proper kitchen units only.
- The appliance must be connected with a properly installed fused socket. Power supply (AC) and voltage at the operating point must with the details on the name plate of the appliance (name plate is located on the inside left of the appliance).
- Insert the plug into a socket with an efficient ground connection. If the socket has no ground contact or the plug does not match, we suggest you to call an authorized electrician for assistance.
- Manufacturer is not responsible for failure to complete the ground connection as described in this booklet.
- There can be an odor when you first switch on the appliance. It will disappear after the appliance starts to cool.
- The plug must be accessible after installation.



## PART 2. HOW TO OPERATE THE APPLIANCE

### Thermostat Setting



- Thermostat automatically regulates the inside temperature of the refrigerator compartment and freezer compartment. By rotating the knob from position 1 to 5, colder temperatures can be obtained.
- The “0” position shows thermostat is closed and no cooling is available.
- For short-term storage of food in the freezer compartment, you can set the knob between minimum and medium position (1-3).
- For long-term storage of food in the freezer compartment, you can set knob medium position.(3-4)
- **Note that:** the ambient temperature, temperature of the freshly stored food and how often the door is opened, affects the temperature in the refrigerator and freezer compartments. If required, change the temperature setting.
- *When you first switch on the appliance, you should ideally try to run it without any food in for 24 hours and not open the door. If you need to use it straight away, try not to put much food inside.*
- *If the unit is switched off or unplugged, you must allow at least 5 minutes before restarting in order not to damage the compressor.*

## PART 3. FOOD STORAGE IN THE APPLIANCE

Refrigerator compartment is used for storing fresh food for few days.

- Do not place food in direct contact with the rear wall of the refrigerator compartment. Leave some space around food to allow circulation of air.
- Do not place hot food or evaporating liquid in the refrigerator.
- Always store food in closed containers or wrapped.
- To reduce humidity and avoid formation of frost, never place liquids in unsealed containers in the refrigerator.
- Meat of all types, wrapped in packages, is recommended to be placed on the glass shelf just above the vegetable bin, where the air is colder.
- You can put the fruits and vegetables into crisper without packing.
- To avoid the cold air escaping, try not to open the door too often, and not leave the door open for a long time.

## PART 4. CLEANING AND MAINTENANCE

- **Disconnect the appliance from the power supply before cleaning.**



- Do not pour water over the appliance.



- The refrigerator compartment should be cleaned periodically using a solution of bicarbonate of soda and lukewarm water.



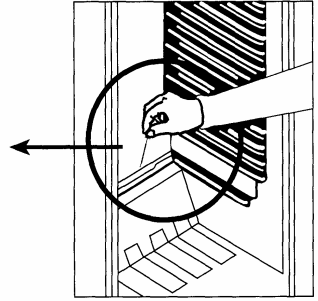
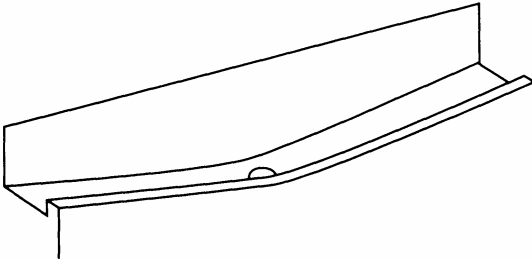
- Clean the accessories separately with soap and water. Do not put them in the dishwasher.



- Do not use abrasive products, detergents or soaps. After washing, rinse with clean water and dry carefully. When the cleaning operations have been completed, reconnect the plug with **dry hands**.



## Defrosting the Refrigerator



- Defrosting occurs automatically in refrigerator during operation; the defrost water is collected by the evaporating tray and evaporates automatically.
- The defrost water drain hole should be cleaned periodically with defrost drain plug to prevent the water from collecting on the bottom of the refrigerator instead of flowing out.
- You can also pour  $\frac{1}{2}$  glass of the water to drain hole to clean inside.

## Replacing the Light Bulb

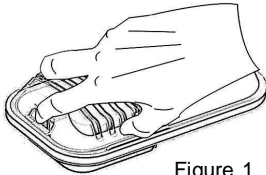


Figure 1

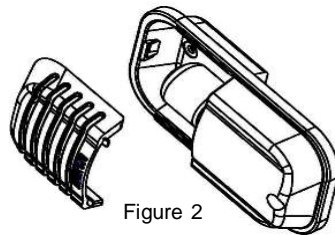


Figure 2

When replacing the bulb of the refrigerator;

1. Unplug the unit from the power supply.
2. Press the hook in front of the light cover such as Figure 1 and remove the light cover.
3. Change the present light bulb with a new one of not more than 15 W.
4. Replace the light cover and after waiting 5 minutes plug the unit.

## **PART 5. BEFORE CALLING YOUR AFTER SALES SERVICE**

If your refrigerator is not working properly, it may be a minor problem, therefore check the following.

### **The appliance does not operate,**

#### **Check if;**

- There is a power failure,
- The mains plug is not properly plugged in, or is loose
- The thermostat setting is on position "0",
- The socket is defective. To check this, plug in another appliance that you know which is working into the same socket.

### **The appliance performs poorly;**

#### **Check if;**

- You have overloaded the appliance,
- The doors are not closed perfectly,
- There are not enough ventilation ducts on the kitchen unit as mentioned in the Installation Manual.

#### **If there is noise;**

The cooling gas which circulates in the refrigerator circuit may make a slight noise (bubbling sound) even when the compressor is not running. Do not worry, this is quite normal. If these sounds are different check if;

- The appliance is installed firmly as described in the Installation Manual.
- The objects on the appliance are vibrating.

#### **If there is water in the lower part of the refrigerator;**

#### **Check if;**

The drain hole for defrost water is not clogged (use defrost drain plug to clean the drain hole).

#### **If your fridge is not cooling enough;**

Your fridge is designed to operate in the ambient temperature intervals stated in the standards, according to the climate class stated in the information label. We do not recommend operating your fridge out of stated temperatures value limits in terms of cooling effectiveness.

<b>Climate Class</b>	<b>Ambient Temperature (°C)</b>
<b>T</b>	Between 16 and 43 (°C)
<b>ST</b>	Between 16 and 38 (°C)
<b>N</b>	Between 16 and 32 (°C)
<b>SN</b>	Between 10 and 32 (°C)

(\*) Tropical class is designated for temperatures between 16°C and 43°C according to TS EN ISO 15502 standards.

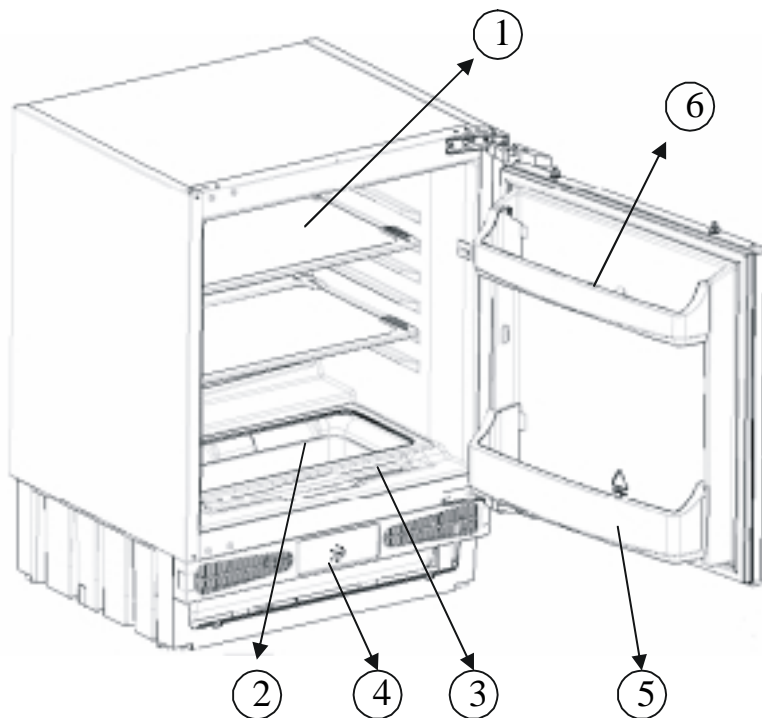


## **Recommendations**

- In order to increase space and improve the appearance, the “cooling section” of refrigerators is positioned inside the back wall of the refrigerator compartment. When the compressor is working, this wall is covered with frost or water drops. Do not worry. This is quite normal. The appliance should be defrosted only if an excessively thick ice layer forms on the back wall.
- If the appliance is not used for a long time (for example during the summer holidays), set the thermostat knob to position “0”. Defrost and clean the refrigerator leaving the door open to prevent the formation of mildew and smell.

## **PART 6.**

# **PARTS OF THE APPLIANCE AND THE COMPARTMENTS**



This presentation is only for information about the parts of the appliance.  
Parts may vary according to the appliance model.

- 1) REFRIGERATOR SHELF
- 2) CRISPER COVER(SAFETY GLASS)
- 3) CRISPER
- 4) THERMOSTAT BUTTON
- 5) BOTTLE SHELF
- 6) BUTTER SHELF